

62-10 Compression Latch

Large · Lift & turn series · Handle style · Adjustable grip

Features

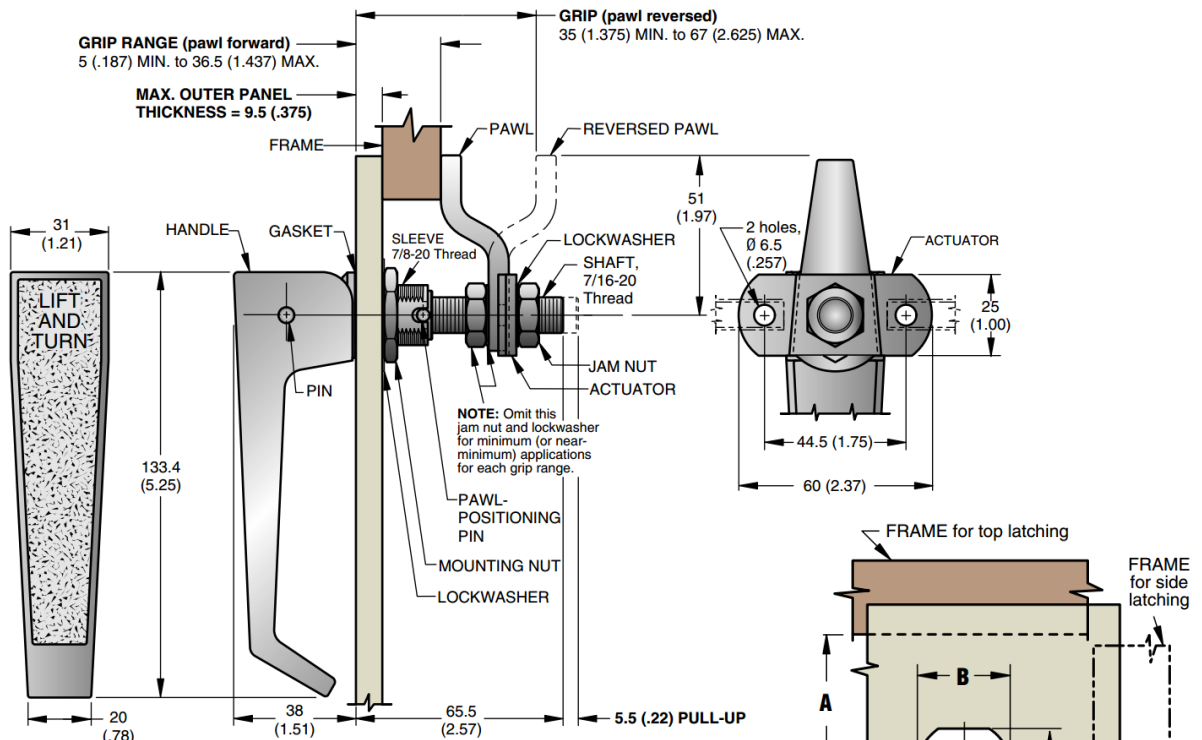
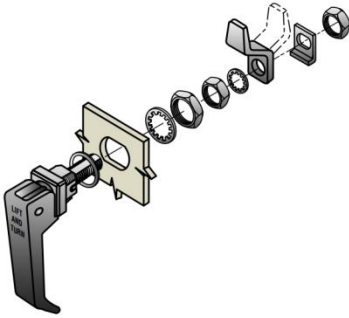
- Easy grip adjustment
- Intuitive operation

Product Performance

- Maximum static load: 890 N
- Average ultimate load: 1,550 N

Material

- Handle & sleeve: Die-cast zinc
- Washer & spring: 302/303 stainless steel, passivated
- O-ring: Buna-N rubber, natural
- Long pin & shaft: 303 stainless steel, passivated or passivated with black oxide
- Gasket: Fibre, natural
- Pawl positioning pin: 303 stainless steel, natural or with black oxide
- Pawl & actuator: 1010 steel, zinc alloy plate, bright chromate plus sealer
- Bushing: Aluminum, natural
- Mounting nut: Brass, zinc plate, chromate plus sealer
- Lockwashers: Spring steel, zinc alloy plate, bright chromate plus sealer
- Jam nuts: Low carbon steel, zinc alloy plate, bright chromate plus sealer



| PART NUMBER | |
|-----------------|--------------|
| Polished chrome | 62-10-603-10 |
| Brushed chrome | 62-10-603-20 |

| | |
|----------|---|
| A | 41 MIN. (1.623) 47.5 MAX. (1.875) |
| B | $\varnothing 22^{+0.2}_{-0.0}$ (.875 ^{+0.010} _{-0.000}) |
| C | $19^{+0.2}_{-0.0}$ (.750 ^{+0.010} _{-0.000}) |

62-10 Compression Latch

Heavy Duty · Lift & turn series · Handle style · Adjustable grip

Features

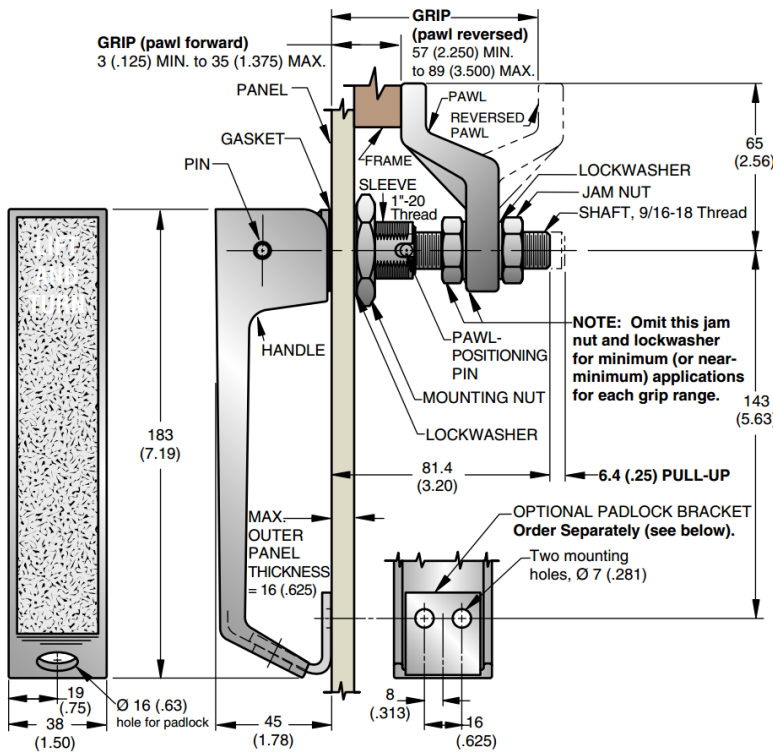
- Three sizes available
- Easy grip adjustment
- Optional padlock bracket

Product Performance

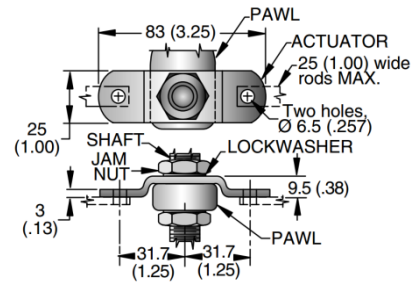
- Maximum static load: 1,250 N
- Average ultimate load: 2,200 N

Material

- Handle & sleeve: Die-cast zinc, chrome
- Mounting nut & pawl: Die-cast zinc with chemical protective film
- Gasket: Fibre, natural
- Spring & washer: 302 stainless steel, passivated
- O-ring: Buna-N rubber, natural
- Long pin 303 stainless steel, natural
- Pawl positioning pin: 1213 steel, zinc alloy plate, bright chromate plus sealer
- Shaft & bushing: Low carbon steel, zinc alloy plate, bright chromate plus sealer
- Jam nuts: Low carbon steel, zinc plated plus chromate dip
- Lockwasher: Spring steel, zinc plated plus chromate dip
- Pawl Lockwashers: Spring steel, zinc plated plus bright chromate dip



Actuator for 2 or 3 point latching

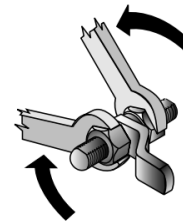
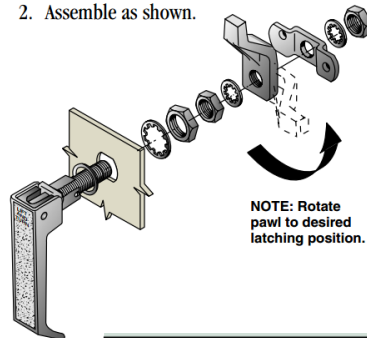
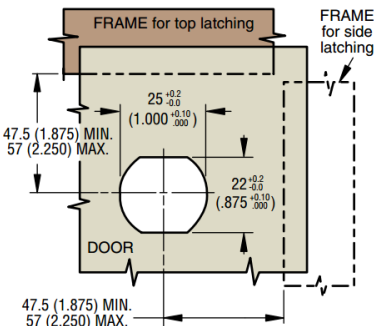


Installation

1. Locate and orient hole with respect to handle in latched position as shown in next step. This hole orientation is preferred for all latching positions.

2. Assemble as shown.

3. Pawl should be adjusted to GRIP measurement with the door open and the handle in the LATCHED position. Use two wrenches to tighten.



millimeter (inch)
millimeter (inch)

southco®

| PART NUMBER | |
|-----------------|--------------|
| Handle Assembly | 62-10-503-10 |
| Padlock Bracket | 62-36-501-24 |
| Actuator | 62-19-501-15 |

We are proud to be Southco's authorized distributor of over 20 years